



**IMET SPA**  
Località tre fontane, 6 - 24034  
Cisano Bergamasco (BG) Italy  
Tel +39 035 4387911 | Fax +39 035 787066  
imet@imetsaws.com  
www.imetsaws.com

MACHINE MODEL

## BS 300/60

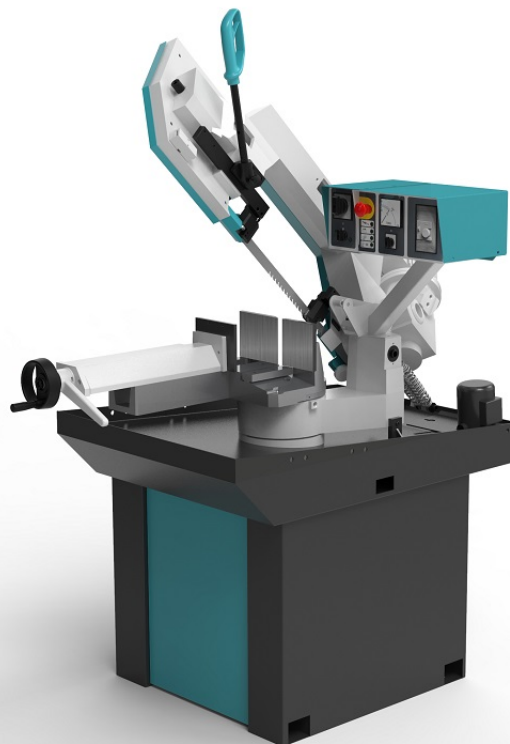
Sawing machine for small and medium productions

Short description

BS 300/60 is a manual band sawing machine for cutting medium hard materials and for small or medium productions. The machine can cut from 0 ° to 60 ° to the left.

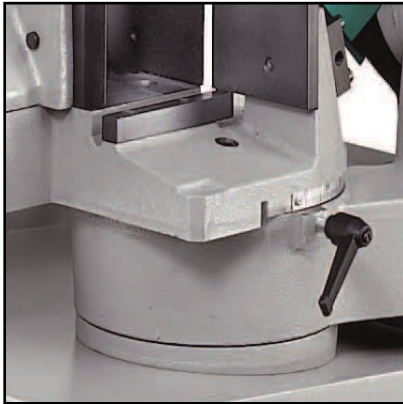


Scan the video



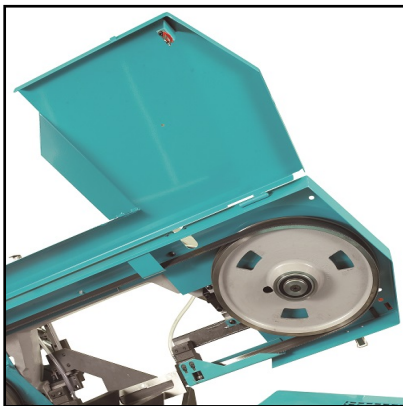
Cutting capacity at 0 °	Round: 255mm - Square: 240mm - Rectangle: 300x180mm
Cutting capacity at 45° left	Round: 210mm - Square: 190mm - Rectangle: 200x160mm
Cutting capacity at 60° left	Round: 135mm - Square: 110mm - Rectangle: 130x100mm
Cutting capacity at 0° for solids (C45)	180mm
Blade dimensions	2765x27x0.9mm
Blade speed	35-70 m/min
Blade motor	1.5/1.8 KWin
Height of the work surface	940mm
Dimensions	900x1700x1860mm
Weight	289kg

## Features



### Adjustable stops

BS 300/60 is equipped with an adjustable stop system at 0 °, 45 ° and 60° with graduated scale for others angles.



### Blade protection

The BS 300/60 blade is protected by a hinged blade cover for quick and easy blade replacement..



### Cutting sawframe

IMET saws are equipped with a rigid monobloc cast iron cutting arch tubular section and pulleys from 320mm and blade tension is 1700kg / cm<sup>2</sup> with front adjustment and control microswitch.



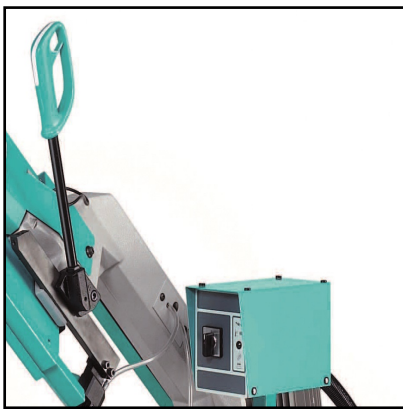
### Front vise

Front clamp with quick locking and jaws 130mm high and adjustable stop rod for series cutting.



### Blade alignment

Blade guide with carbide inserts and front bearings to ensure optimal blade alignment.



### Utilization

Safe start via push button on the handle, operation control led.



### Minimal lubrication system (Optional)

**OPTIONAL**

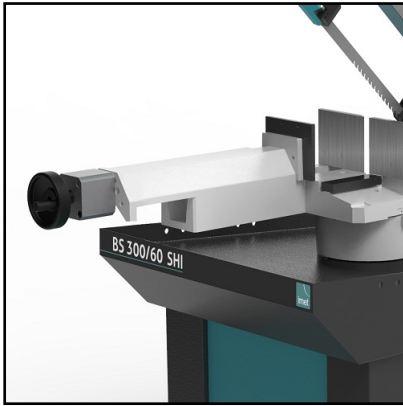
Minimal lubrication can be requested for any machines minimal lubrication cancels the dispersion of coolant typical in the use of emulsifiable oil. The life of the blade is in no way affected.



### Adapter for Synchronization (Optional)

**OPTIONAL**

Adapter for Synchronization between RTD, RTP and sawframe movement .



**Pneumatic vice (Optional)**

**OPTIONAL**

Pneumatic vice with bow controlled opening and closing.



**Roller Connection for loading side (Optional)**

**OPTIONAL**

Connection element for loading side roller table with 1 roller.



**Roller Connection for unloading side (Optional)**

**OPTIONAL**

Connection element for unloading side roller table with 1 roller



**Loading / unloading roller table (Optional)**

**OPTIONAL**

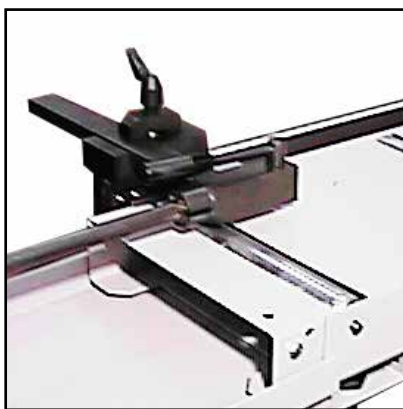
Loading / unloading roller table. 1st element length 2m, capacity 700kg.



Loading / unloading roller table (Optional)

OPTIONAL

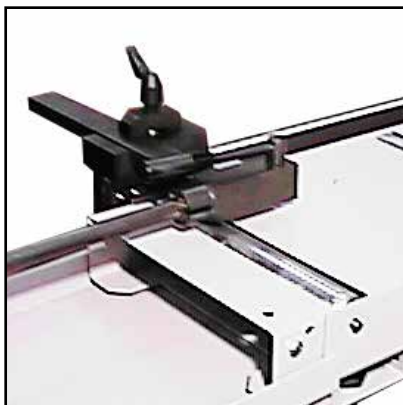
Loading / unloading roller table. Next element, length 2m, capacity 600kg.



Unloading roller table with metric rod (Optional)

OPTIONAL

Unloading roller table with metric rod, measurement feedback. 1st element, length 2mt , capacity 700kg



Unloading roller table with metric rod (Optional)

OPTIONAL

Unloading roller table with metric rod and measurement feedback. Following element, length 2mt, capacity 600 KG



Unloading roller table (Optional)

OPTIONAL

Unloading roller table with digital reading and manual movement. Availability : -  
 RTL3W30 measuring length 3mt with 3 pedestals ,maximum capacity 3000kg; -  
 RTL3W30 measuring length 6mt with 5 pedestals , maximum capacity 6000kg; -  
 RTL3W30 measuring length 9mt with 7 pedestals , maximum capacity 9000kg;